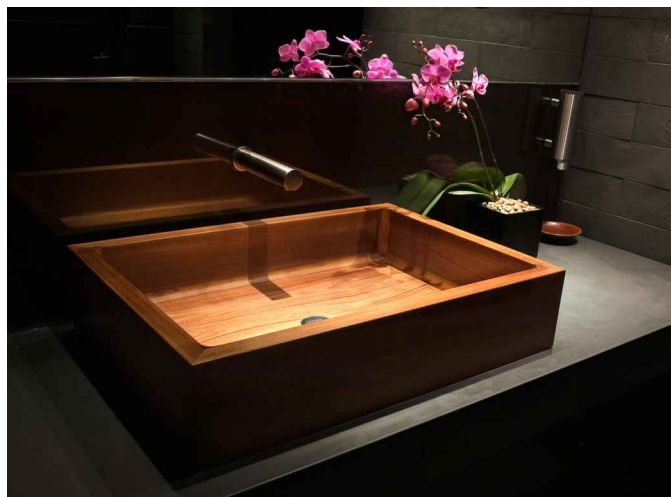


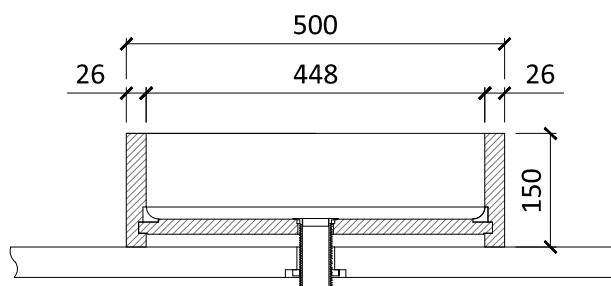
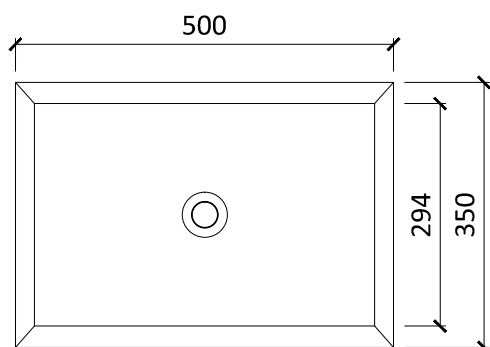


## COUNTER GEO BASIN DATA SHEET

The William Garvey 'Counter Geo Basin' is constructed from teak and specialist marine ply. The bottom of the basin is slightly 'dished' to ensure even drainage. All WGL products can be bespoke made to meet your specific project requirements.



DIMENSIONS	STANDARD	
	length	500mm
width	350mm	13.8"
height	150mm	6"
internal length	448mm	17.6"
internal width	294mm	11.6"
internal depth	113mm	4.5"
wall thickness	26mm	1"



## DESIGN CONSIDERATIONS

### PLUMBING CONNECTIONS

- Geo Basins are fitted with standard 1 1/4" chrome Presflo (chainless) waste compatible with standard basin traps.
- The waste is fitted in the centre of the basin.
- If the counter top is more than 30mm (1 1/4") thick it should be counterbored to receive the brass lock nut so as to leave sufficient thread for the waste fitting

### BESPOKE SIZES AVAILABLE

- Geo basins can be made to individual sizes..... Please contact us to discuss your specific requirements

### CARE & MAINTENANCE

- All William Garvey teak work is finished with a specially formulated marine polish. It has exceptional adhesion to the timber, forming a tough layer which will not absorb stains and is easy to clean using ordinary non-abrasive bathroom and kitchen cleaners.
- Products containing bleach should be avoided as they will have a detrimental effect to the marine polish finish. Limescale removers can be used without the risk of damage.