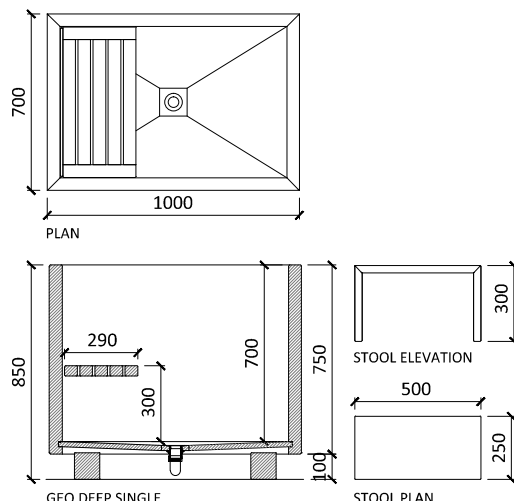
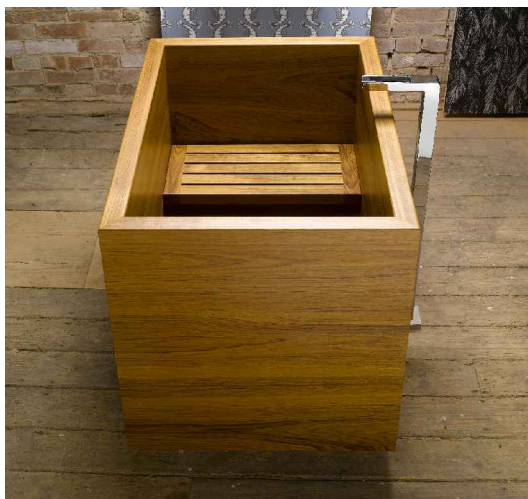




## GEO DEEP SINGLE BATH DATA SHEET

The William Garvey 'Geo Deep Bath' is constructed from teak and specialist marine ply. Baths have one removable seat. The bath is designed to stand on two teak bearers which elevate the bath by 100mm (4"). The bath has a shaped base to improve drainage, but it should be leveled as accurately as possible. Large, non-standard baths require additional base supports which are supplied. A laminated teak stool is also supplied. All WGL products can be bespoke made to meet your specific project requirements.



DEEP SINGLE	DIMENSIONS	
length	1000mm	39.5"
width	700mm	27.5"
height (excl. bearers)	750mm	29.5"
internal length	900mm	35.5"
internal width	600mm	23.5"
internal depth	700mm	27.5"
wall thickness	50mm	2"
weight (empty)	83kg	182.6 lbs
weight (filled)	461kg	1014 lbs
cubic capacity	378 litres	83 gall
capacity (400mm deep)	216 litres	48 gall
crated weight (long haul)	164.5kg	362.5 lbs
crated weight (short haul, UK)	124kg	273.1lbs
crated size (long haul)	1210x910x1050mm	48x37x36"
crated size (short haul, UK)	1050x760x780mm	41x30x30"
stool	500x250x300mm	20x10x12"

### DESIGN CONSIDERATIONS

#### PLUMBING CONNECTIONS

- Geo deep baths are fitted with a standard 1 1/2" chrome captive bath waste (chainless) compatible with standard shallow bath traps. A standard plastic shallow 'P' trap is supplied fitted for 1 1/2" waste plumbing. The waste is fitted in the centre of the bath.
- Overflows are not fitted as standard. If you require an overflow, the bath can be customised to conceal overflow plumbing.
- Generally, taps are either wall or floor mounted, but baths can be customised to enable taps to be integrated

#### HOT WATER SUPPLY

- With greater cubic capacity, our baths use more hot water than conventional baths. A combi or geyser type boiler will provide a continuous flow of hot water whereas the capacity of a conventional system is limited by the size of the storage tank. Typically a combi type boiler is able to deliver 15.1 litres (4 US gallons) per minute at 35 degrees centigrade.

#### BESPOKE SIZES AVAILABLE

- Geo deep baths can be made to individual sizes..... Please contact us to discuss your specific requirements

#### CARE & MAINTENANCE

- All William Garvey teak work is finished with a specially formulated marine polish. It has exceptional adhesion to the timber, forming a tough layer which will not absorb stains and is easy to clean using ordinary non-abrasive bathroom and kitchen cleaners.
- Products containing bleach should be avoided as they will have a detrimental effect to the marine polish finish. Limescale removers can be used without the risk of damage.