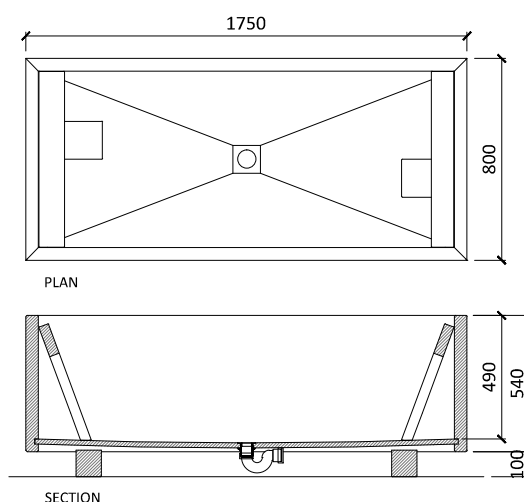




GEO DOUBLE BATH DATA SHEET

The William Garvey 'Geo Baths' are constructed from teak and specialist marine plywood. Baths have two removable (offset) backrests. The bath is designed to stand on two teak bearers which elevate the bath by 100mm (4"). The bath has a shaped base to improve drainage, but it should be leveled as accurately as possible. Large, non-standard baths require additional base supports which are supplied. All WGL products can be bespoke made to meet your specific project requirements.



DOUBLE BATH	DIMENSIONS	
length	1750mm	69"
width	800mm	31.5"
height (excl. bearers)	540mm	21.5"
internal length	1650mm	65"
internal width	700mm	27.5"
internal depth	490mm	19.5"
wall thickness	50mm	2"
weight (empty)	96.5kg	212 lbs
weight (filled)	662kg	1456 lbs
cubic capacity	566 litres	125 gall
capacity (400mm deep)	462 litres	102 gall
crated weight (long haul)	202.8kg	447 lbs
crated weight (short haul, UK)	147.5kg	324 lbs
crated size (long haul)	1960x1010x840mm	78x40x26"
crated size (short haul, UK)	1800x850x580mm	71x34x22"

DESIGN CONSIDERATIONS

PLUMBING CONNECTIONS

- Geo Baths are fitted with a standard 1 1/2" chrome captive bath waste (chainless) compatible with standard shallow bath traps. A standard plastic shallow 'P' trap is supplied fitted for 1 1/2" waste plumbing. The waste is fitted in the centre of the bath.
- Overflows are not fitted as standard. If you require an overflow, the bath can be customised to conceal overflow plumbing.
- Generally, taps are either wall or floor mounted, but baths can be customised to enable taps to be integrated

HOT WATER SUPPLY

- With greater cubic capacity, our baths use more hot water than conventional baths. A combi or geyser type boiler will provide a continuous flow of hot water whereas the capacity of a conventional system is limited by the size of the storage tank. Typically a combi type boiler is able to deliver 15.1 litres (4 US gallons) per minute at 35 degrees centigrade.

BESPOKE SIZES AVAILABLE

- Geo baths can be made to individual sizes..... Please contact us to discuss your specific requirements

CARE & MAINTENANCE

- All William Garvey teak work is finished with a specially formulated marine polish. It has exceptional adhesion to the timber, forming a tough layer which will not absorb stains and is easy to clean using ordinary non-abrasive bathroom and kitchen cleaners.
- Products containing bleach should be avoided as they will have a detrimental effect to the marine polish finish. Limescale removers can be used without the risk of damage.