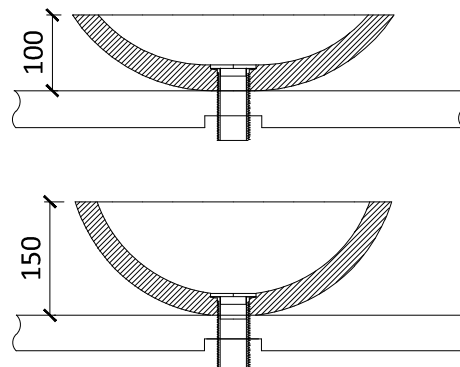




# HELIO BASIN DATA SHEET

The William Garvey 'Helio Basin' is turned from solid teak and is designed to stand on a suitable worktop, held in position by the waste fitting and a brass lock nut. All WGL products can be bespoke made to meet your specific project requirements.



DIMENSIONS	STANDARD		SHALLOW	
	mm	in	mm	in
diameter	420mm	16.5"	420mm	16.5"
height	150mm	6"	100mm	4"
wall thickness (approx)	34mm	1.3"	34mm	1.3"
boxed weight	6kg	13 lbs	4kg	8.8 lbs
boxed size	600x500x280mm	24x20x11"	600x500x280mm	24x20x11"

## DESIGN CONSIDERATIONS

### PLUMBING CONNECTIONS

- Helio basins are fitted with standard 1 1/4" chrome Presflo (chainless) waste compatible with standard basin traps.
- The waste is fitted in the centre of the basin.
- Please note - If the counter top is more than 30mm (1 1/4") thick it should be counterbored to receive the brass lock nut so as to leave sufficient thread for the waste fitting

### BESPOKE SIZES AVAILABLE

- Helio basins can be made to individual sizes..... Please contact us to discuss your specific requirements

### CARE & MAINTENANCE

- All William Garvey teak work is finished with a specially formulated marine polish. It has exceptional adhesion to the timber, forming a tough layer which will not absorb stains and is easy to clean using ordinary non-abrasive bathroom and kitchen cleaners.
- Products containing bleach should be avoided as they will have a detrimental effect to the marine polish finish. Limescale removers can be used without the risk of damage.