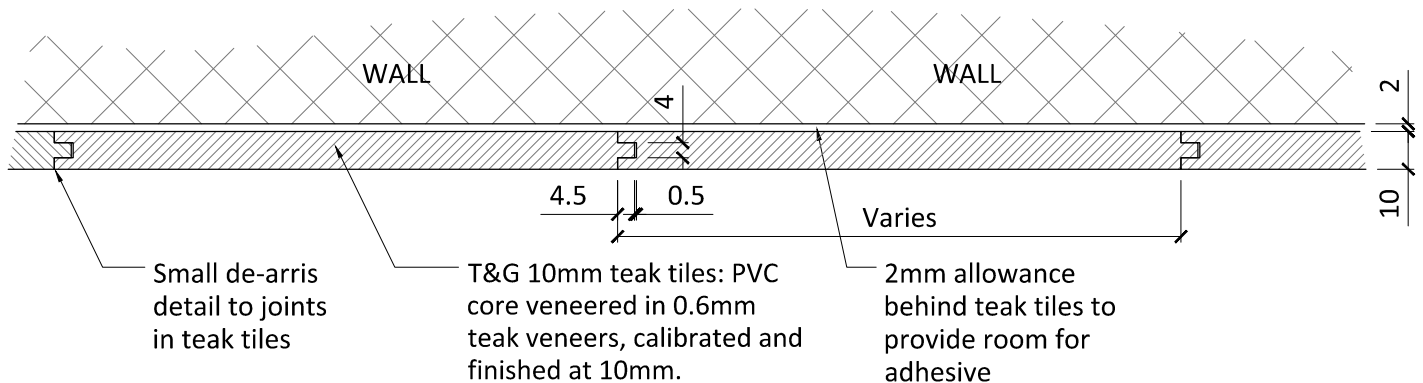




TEAK TILES DATA SHEET

William Garvey teak tiles are an attractive alternative to ceramic tiles. Tiles can be fitted either vertically or horizontally, and can be made to any desired size. Tiles are constructed from Foamalux foam PVC Core, veneered in 0.6mm teak veneers. They are hardwearing, easy to clean and easier to install than traditional ceramic tiles. The tiles do not require any grout, and are designed to interlock with tongue and grooved edges.



DETAIL 1
SCALE 1:2

DESIGN CONSIDERATIONS

TEAK TILES

- Teak tiles are generally supplied as a specified width, left over length to be cut to size on site..... Please contact us to discuss your specific requirements
- Tiles can be cut to size using simple woodworking tools, or machine cut
- Tiles are both water and rot proof and are dimensionally inert.

CARE & MAINTENANCE

- All William Garvey teak work is finished with a specially formulated marine polish. It has exceptional adhesion to the timber, forming a tough layer which will not absorb stains and is easy to clean using ordinary non-abrasive bathroom and kitchen cleaners.
- Products containing bleach should be avoided as they will have a detrimental effect to the marine polish finish. Limescale removers can be used without the risk of damage.