



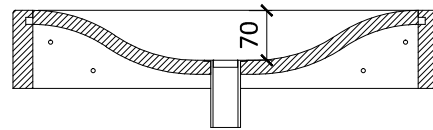
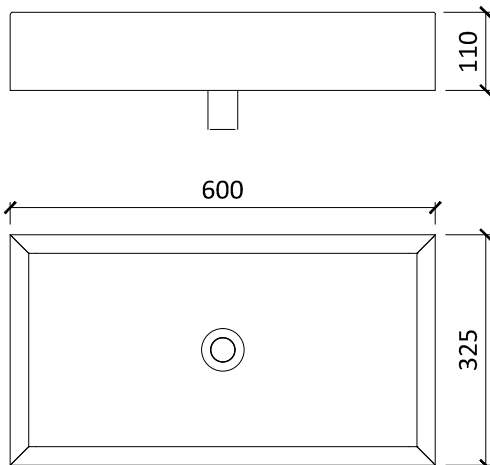
WILLIAM GARVEY LIMITED
FURNITURE DESIGNERS & MAKERS

WAVE BASIN (SHORT) DATA SHEET

The William Garvey 'Wave Basin' was developed to complement today's contemporary style of bathrooms. It is constructed from teak and the highest grade of marine ply available. It can either be wall mounted or fixed in positioned on a counter top. If wall mounted, screw fixed through basin downstand with holes provided. For a secure and level installation, the wall itself should be flat, vertical and have either a solid timber or masonry structure to take screw fixings. All WGL products can be bespoke made to meet your specific project requirements.



DIMENSIONS	STANDARD	
length	600mm	23.6"
width	325mm	12.8"
height	110mm	4.3"
internal depth <small>(maximum)</small>	70mm	2.8"
wall thickness	26mm	1"



DESIGN CONSIDERATIONS

PLUMBING CONNECTIONS

- Wave Basins are fitted with standard 1 1/4" chrome Presflo (chainless) waste compatible with standard basin traps.
- The waste is fitted in the centre of the basin.

BESPOKE SIZES AVAILABLE

- Wave basins can be made to individual sizes..... Please contact us to discuss your specific requirements

CARE & MAINTENANCE

- All William Garvey teak work is finished with a specially formulated marine polish. It has exceptional adhesion to the timber, forming a tough layer which will not absorb stains and is easy to clean using ordinary non-abrasive bathroom and kitchen cleaners.
- Products containing bleach should be avoided as they will have a detrimental effect to the marine polish finish. Limescale removers can be used without the risk of damage.