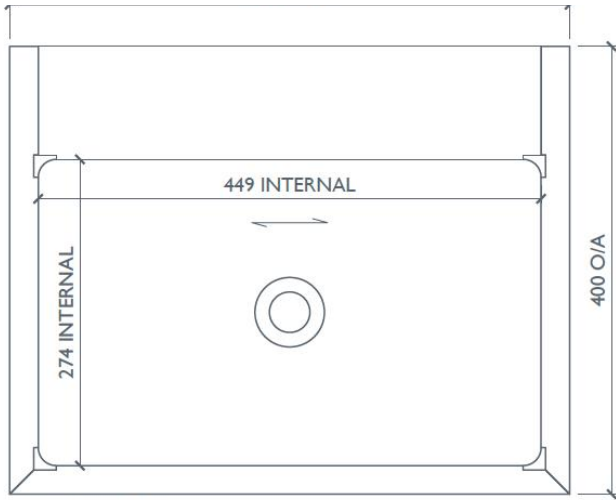




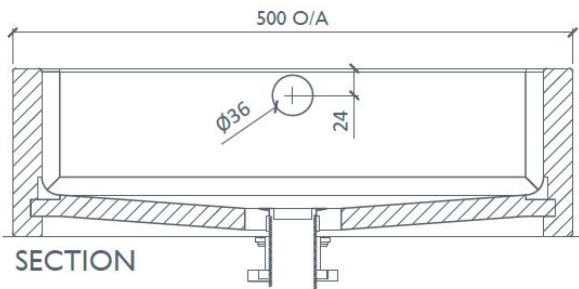
BASIN •

Rectangular wall mounted basin with a slightly concave base.

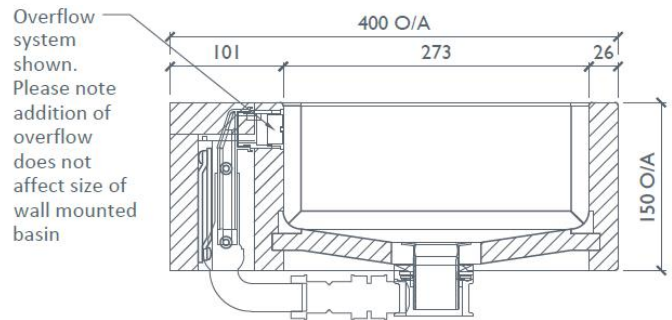
Tap holes drilled to requirement.



PLAN VIEW



SECTION



Overflow system shown. Please note addition of overflow does not affect size of wall mounted basin

- Construction: Veneer, Agba Marine-Ply in Teak, Maple, Cedar*, Oak or Walnut
- Finishes: Matt High Performance Lacquer
- Fittings: Chrome push operated waste available in [Click for options](#)
(Overflows are custom components)
- Care instructions: Click this [link](#) for our finishes and care instructions webpage

Our products can be made to suit your designs, colours & specific sizes | Please get in touch for a quote.



* Cedar- subject to 5% surcharge

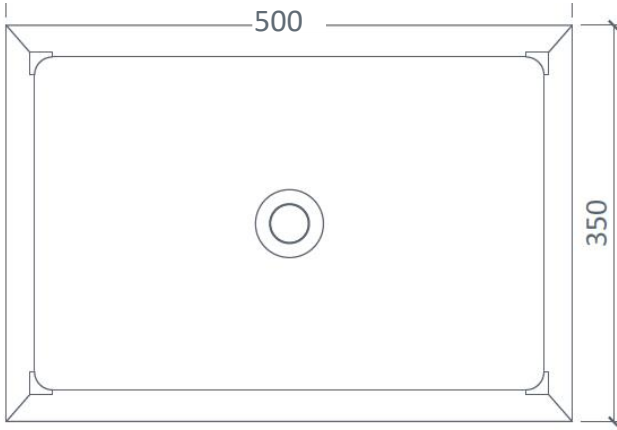
Images for indication only | Lighting and grain variations must be considered | Tints and colour matching available.



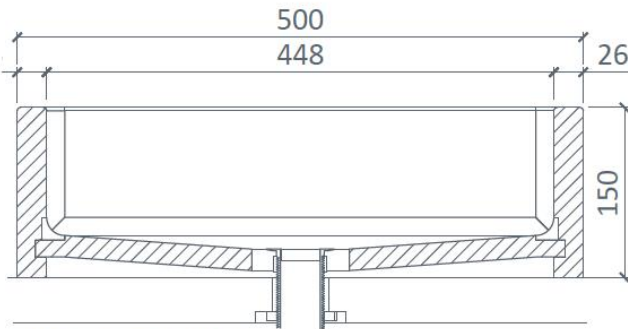


COUNTERTOP BASIN •

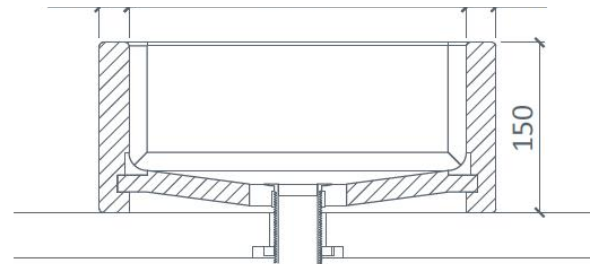
Rectangular counter mounted basin,
with a slightly concave base.



PLAN VIEW



FRONT SECTION



SIDE SECTION

Construction: Veneer, Agba Marine-Ply in Teak, Maple, Cedar*, Oak or Walnut
 Finishes: Matt High Performance Lacquer
 Fittings: Chrome push operated waste available in [Click for options](#)
 Care instructions: Click this [link](#) for our finishes and care instructions webpage

Our products can be made to suit your designs, colours & specific sizes | Please get in touch for a quote.



* Cedar- subject to 5% surcharge

Images for indication only | Lighting and grain variations must be considered | Tints and colour matching available.

